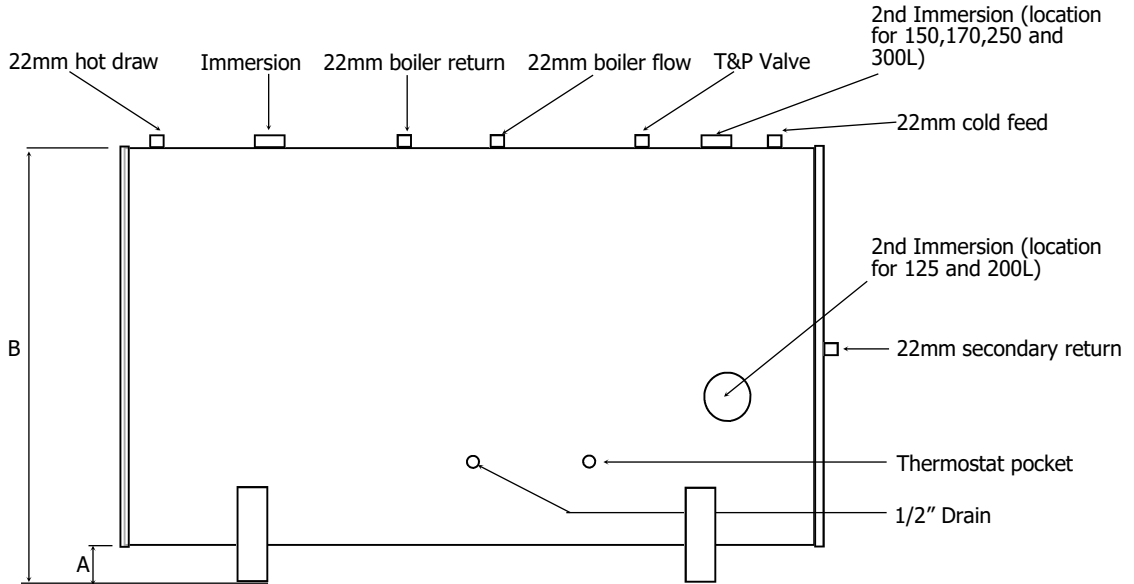


Technical Data Sheet

JAB Duc Indirect Horizontal 2 X Immersion



All unvented cylinders come with an unvented component kit to suit.

Capacity (L)	125	150	170	200	250	300
Height (mm)	900	1075	1200	1175	1500	1800
Diameter (mm)	510	510	510	555	555	555
A (mm)	100	100	100	100	100	100
B (mm)	610	610	610	654	654	654

Capacity (L)	125	150	170	200	250	300
Reheat from cold (minutes)	36	37	36	33	35	40
Reheat from 70% draw-off (minutes)	25	6	25	24	25	29
ERP Band	C	C	C	C	C	C
Immersion Rating (kw)	3	3	3	3	3	3
Standing Heat Loss (kwh/24hrs)	1.48	1.72	1.92	2.04	2.16	2.32

